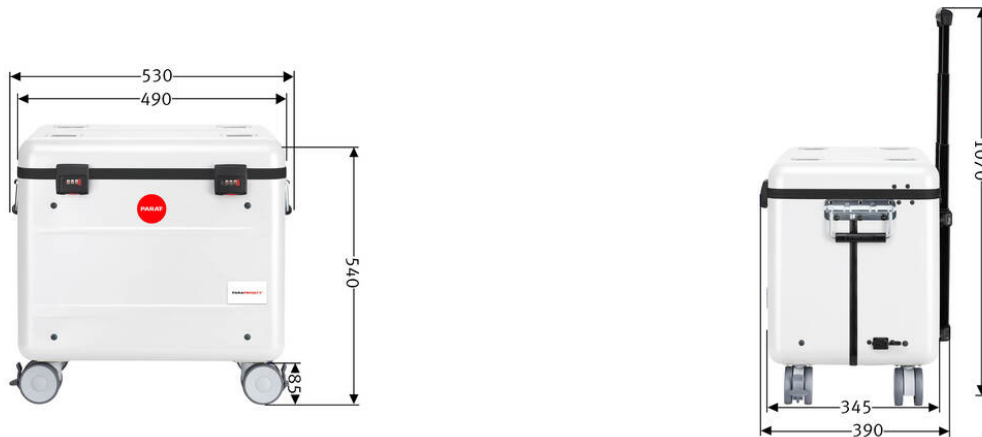


PARAPROJECT®

Case i10

charging , synchronizing , transport , storage , Flex2Connect



| | |
|-----------------------------|--|
| Part denomination | PARAPROJECT Case i10 Charge&Sync, incl. USB Lightning® cable, white |
| Part number | 208.618-170 |
| GTIN /EAN | 4006793002357 |
| Field of application | Education , Health Care |
| Certificates | CE / REACH / RoHS |
| Applicable standards | DE EN 60950-1 / DIN EN 55022 / DIN EN 55035 |
| Scope of delivery | <ul style="list-style-type: none"> - PARAPROJECT® Case i10 - device connection cable, EU, length: 5 m - USB connection cable, length: 3 m - 10 data and charging cable USB-A to Lightning® - y-adapter, C14 plug with 1 IBM sockets (C5, 3-pin) and 1 x EURO-8-socket (C7, 2-pin, AUX 1) - y-adapter, C14 plug with 1 Euroflat socket (2-pin) and 1 EURO-8-socket (C7, 2-pin, AUX 2) - user guide |
| Materials | <ul style="list-style-type: none"> - ABS plastic / PMMA - aluminium - Con-Pearl® - industrial leather |
| Transport | 4-fold telescopic handle / 2 carrying handles / combination lock / 4 smooth-running castors ø 75 mm (with 2 lockable castors) |
| External dimensions (WxDxH) | 530 mm x 390 mm x 540 mm |
| Weight | 12000 g |
| Transport dimensions | 560 mm x 410 mm x 550 mm |
| Dimensions of euro-pallets | 800 mm x 1200 mm x 1860 mm |
| Number of euro-pallet | 6 |
| customs tariff number | 85044083 |
| Country of origin | RO |

PARAPROJECT®

Case i10

charging , synchronizing , transport , storage , Flex2Connect

| | |
|-----------------------------|---|
| Fittings | <ul style="list-style-type: none"> - Interior technical equipment: - 10 storage compartments (W x D x H: 29 x 210 x 260 mm) for iPad/tablets - storage compartment (W x D x H: 28 x 235 x 320 mm) for master laptop - storage compartment for accessories such as access point, router and/or Apple TV - sync and charging unit - 10 data and charging cable USB-A to Lightning® - internal timer to set charge time limit - temperature sensor - 2 sockets for e.g. master laptop or access point - Case lid: - pocket with zipper, pocket with velcro fastener and push-in compartment with rubber loop - air vents in the lid and bottom tray - External technical equipment: - central power supply with protective cap - USB-B port for sync function - RJ 45 network socket for e.g. access point - 4-fold telescopic handle - 2 carrying handles - combination lock - 4 smooth-running castors ø 75 mm (with 2 lockable castors) |
| Compatible devices | All iPad from generation 4, as well as mini, except Pro 12.9" |
| Max. number of devices | 10 |
| Operating system | iOS |
| Cable types for equipment | data and charging cable USB-A to Lightning® ; y-adapter, C14 plug with 1 IBM sockets (C5, 3-pin) and 1 EURO-8-socket (C7, 2-pin, AUX 1) ; y-adapter, C14 plug with 1 Euroflat socket (2-pin) and 1 EURO-8-socket (C7, 2-pin, AUX 2) |
| Power supply | central power supply for all devices |
| Output power per port | 2,0 A / 10W |
| Optional accessories | <ul style="list-style-type: none"> - data and charging cable USB-C® to USB-C® - data and charging cable USB-C® to Lightning® - data and charging cable with LED display USB-A to Lightning® - data and charging cable USB-A to USB-C® |
| Lock types | combination lock |
| Connections | <ul style="list-style-type: none"> - outside: - central power supply with protective cap - USB-B port for sync function - RJ 45 network socket for e.g. access point - optional: HDMI port - inside: - 10 USB-A ports for Flex2Connect - Y-Adapter Kabel, C14-Stecker auf 1 x IBM-Buchse (C5, 3-polig) und 1 x Euro-8-Buchse (C7, 2-polig, AUX 1) - Y-Adapter Kabel, C14-Stecker auf 1 x Euroflach-Buchse (2-polig) und 1 x Euro-8-Buchse (C7, 2-polig, AUX 2) |
| Data of currents | <ul style="list-style-type: none"> - 100 - 240 V - max. 3,6 A - 50/60 Hz |
| Dimension of pockets | 29 x 210 x 260 mm (+ 50 mm zusätzliche Höhe dank Kofferdeckel) |
| Dimensions of other pockets | 28 x 235 x 320 mm (+ 50 mm zusätzliche Höhe dank Kofferdeckel) |
| Color | white |

product image similar / information without content / subject to errors and changes / all dimensions in mm

PARAPROJECT®

Case i10

charging , synchronizing , transport , storage , Flex2Connect



- LED charging indicator



- sync and network connector